

1

2

3

4

A

A

B

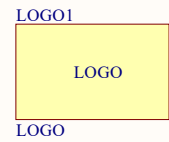
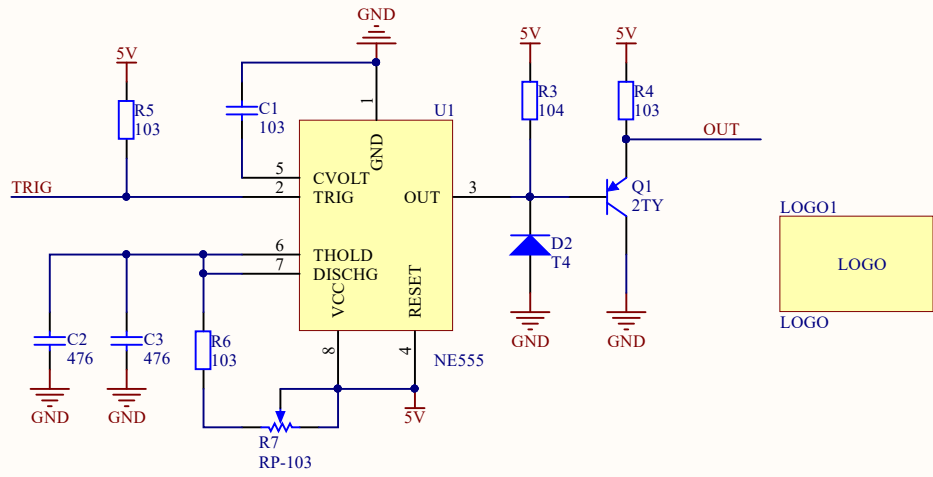
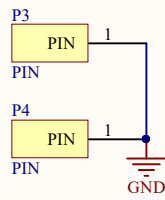
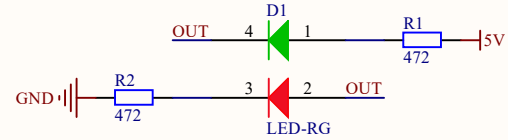
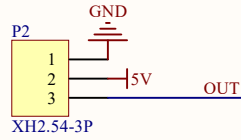
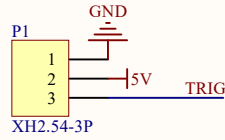
B

C

C

D

D



Title 触发延时模块		
Size: A4	Number:*	Revision:*
Date: 2022-03-09	Time: 14:39:50	Sheet* of *
File: \\RUILONGMAKER\PCB Project\Inventor's Platform\RLISP039DB\RLISP039DB.SchDoc		



1

2

3

4